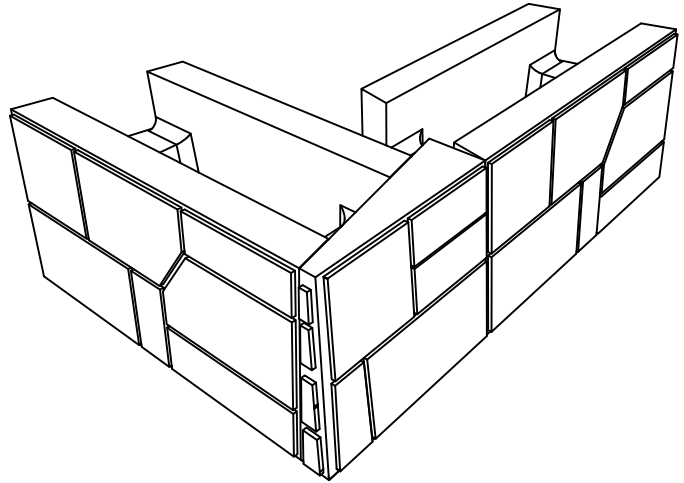
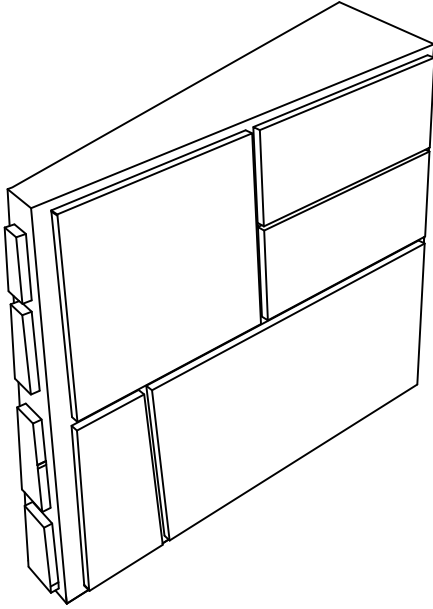


# MagnumStone Batter

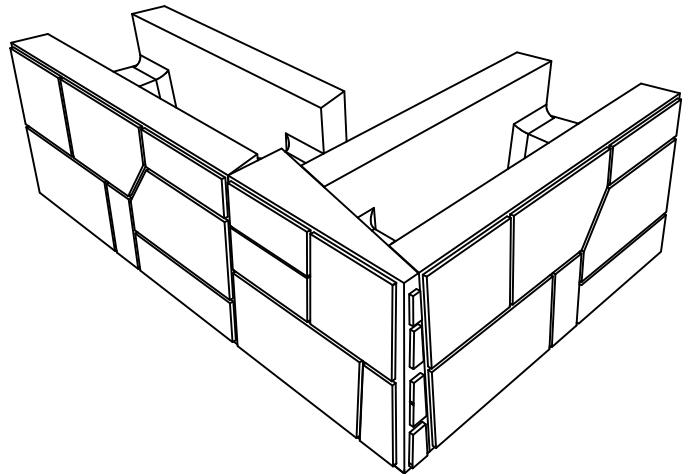
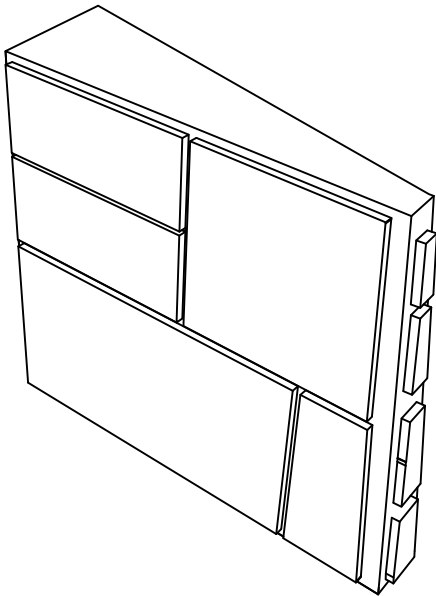
>>>END CAP



## Dimensions

Face Width	26"	660mm
Back Width	26"	660mm
Depth	3/8.5"	76/215mm
Height	24"	610mm
Face Area	4.3sq ft	0.4 sq m
Setback	4.5°	2"/Unit
Weight	314lbs	142Kg

>>>RIGHT END CAP



>>>LEFT END CAP

\*Weights may vary between producers



**CORNERSTONE**  
WALL SOLUTIONS INC.

These preliminary details are intended solely to act as an aid when designing a wall. This drawing should not be used for final design or construction. Each site-specific wall should be certified and signed by a registered geotechnical engineer in the State or Province that it is being built. The accuracy and use of the details in this document are the sole responsibility of the user.

[www.cornerstonewallsolutions.com](http://www.cornerstonewallsolutions.com)