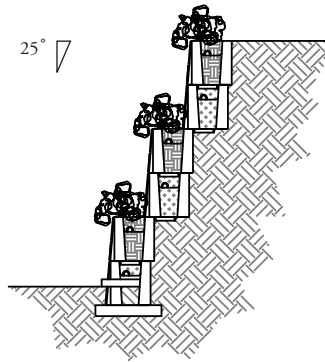
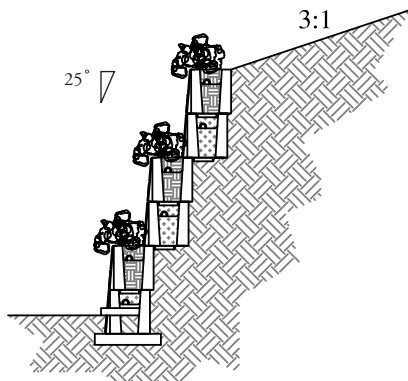


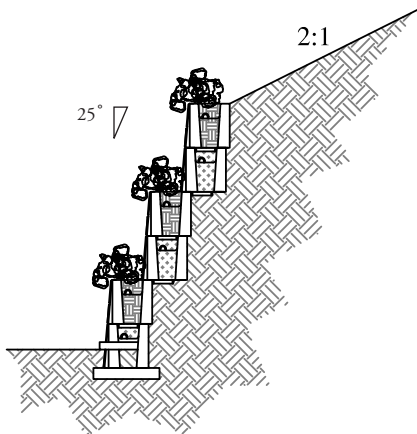
> > > MagnumStone™ 4.0 Ft Plantable Wall Charts



Soil Type	Height Exposed	Height Embedded	Total
34° Soil	14.5' (4420mm)	0.8' (244mm)	15.3' (4663mm)
30° Soil	10.8' (3292mm)	0.6' (183mm)	11.4' (3475mm)
26° Soil	8.1' (2469mm)	0.5' (152mm)	8.6' (2621mm)



Soil Type	Height Exposed	Height Embedded	Total
34° Soil	11.8' (3597mm)	0.7' (213mm)	12.5' (3810mm)
30° Soil	8.4' (2560mm)	0.5' (152mm)	8.9' (2713mm)
26° Soil	5.8' (1768mm)	0.5' (152mm)	6.3' (1920mm)



Soil Type	Height Exposed	Height Embedded	Total
34° Soil	9.8' (2987mm)	0.6' (183mm)	10.4' (3170mm)
30° Soil	6.2' (1890mm)	0.5' (152mm)	6.7' (2042mm)
26° Soil	N/A	N/A	N/A

DISCLAIMER. This chart is for initial estimation purposes only. Do not use for final design or construction. Retain a licensed professional engineer to design every wall on a case-by-case basis using site specific criteria. The accuracy and use of this document are the sole responsibility of the user. All calculations were performed based on NCMA methodology using factors of safety of 1.5 for sliding and overturning. The bearing capacity of base soils will be no less than 3,000 pounds per square foot (psf). All soils have been assumed to be less than 125 pounds per cubic foot (pcf). Global Stability Analysis has not been performed.